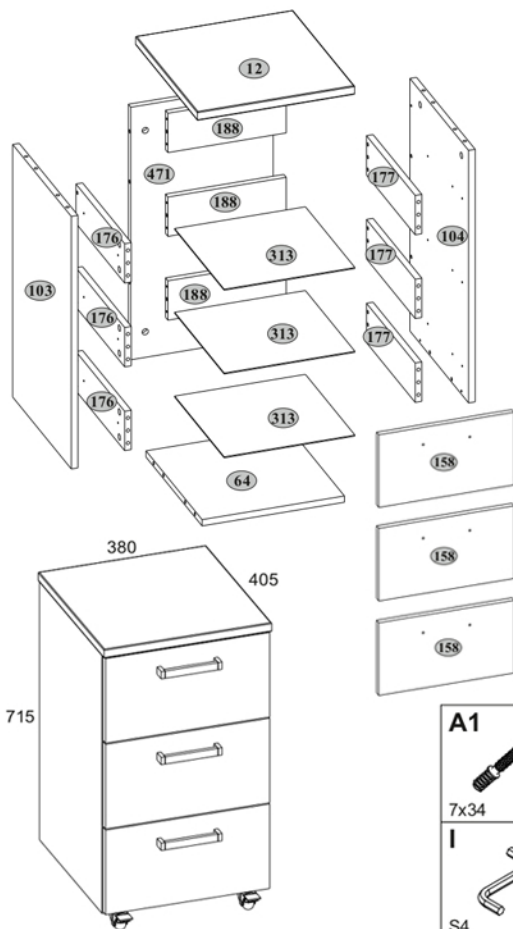
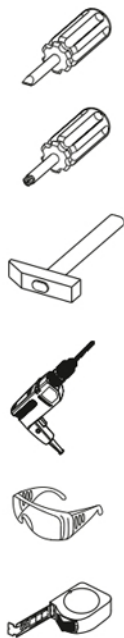


# BORAS 3S



<b>A2</b>  Ø15x13 24	<b>R24</b>  7x50 12
<b>N21</b>  2	<b>S5</b>  Ø18 12
<b>R27</b>  5,0x13 30	
<b>Z10</b>  300 3	
<b>C1</b>  8x35 24	
<b>N22</b>  2	
<b>A1</b>  7x34 24	
<b>R32</b>  4x27 6	
<b>I</b>  S4 1	
<b>H61</b>  3	
<b>R3</b>  3x20 24	
<b>R102</b>  3,5x16 16	

№	L, mm	B, mm	H, mm	Q	№ pack
12	380	405	22	1	1/1
64	344	368	16	1	1/1
103	642	385	16	1	1/1
104	642	385	16	1	1/1
158	372	210	16	3	1/1
176	320	100	16	3	1/1
177	320	100	16	3	1/1
188	286	100	16	3	1/1
313	325	316	2,5	3	1/1
471	642	344	16	1	1/1

**1****A1**

7x34

**C1**

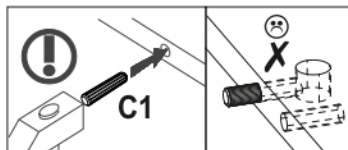
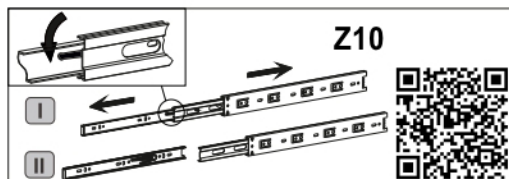
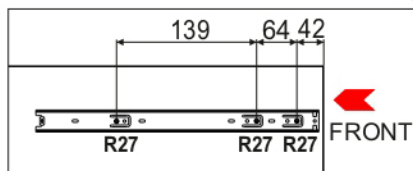
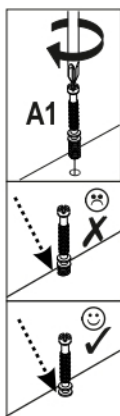
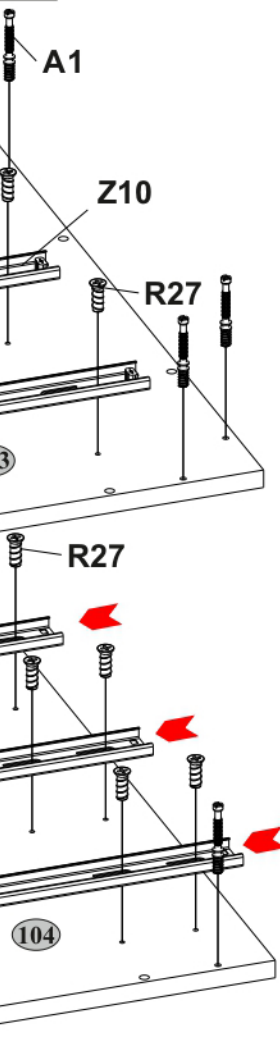
8 8x35

**R27**

4 5,0x13

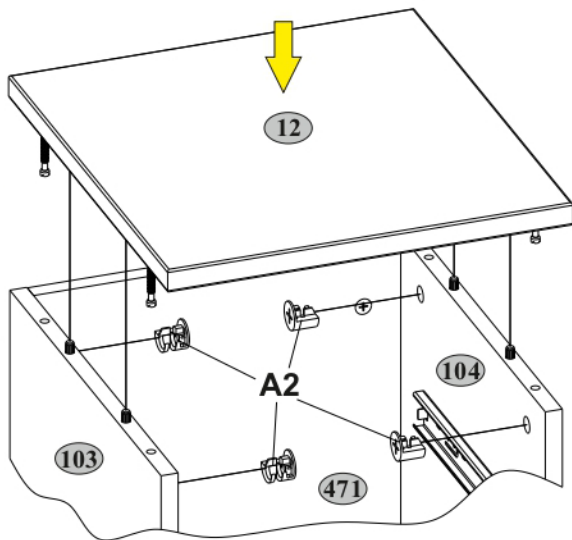
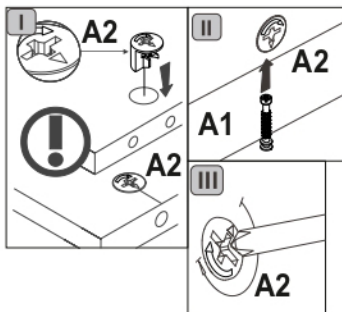
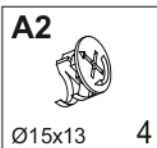
**Z10**

18 300

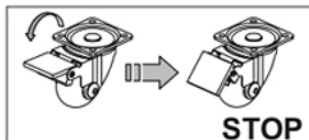
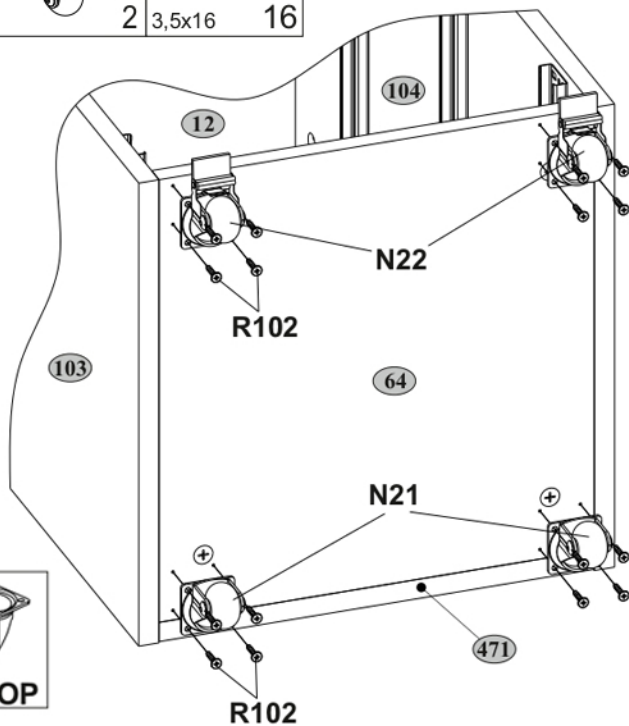
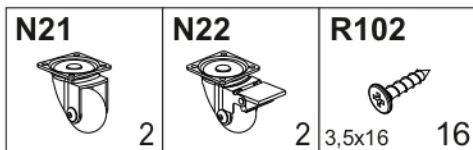






5

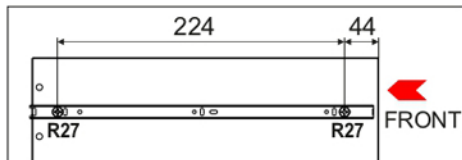
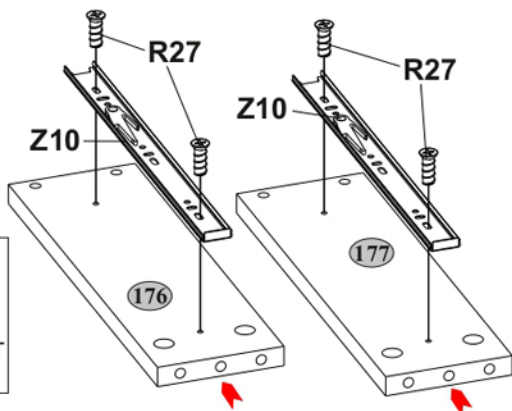


6






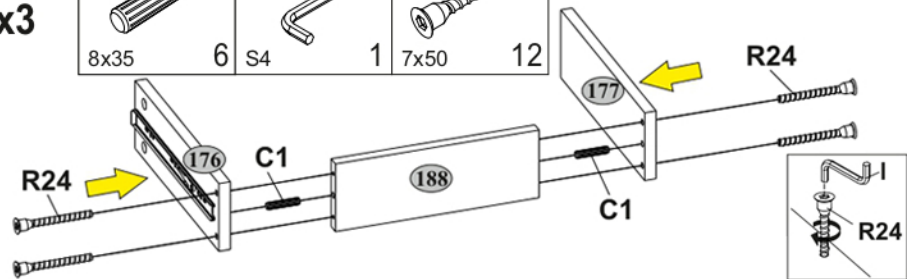
**7**  
x3

<b>R27</b>	<b>Z10</b>
	
5,0x13    12	300    3






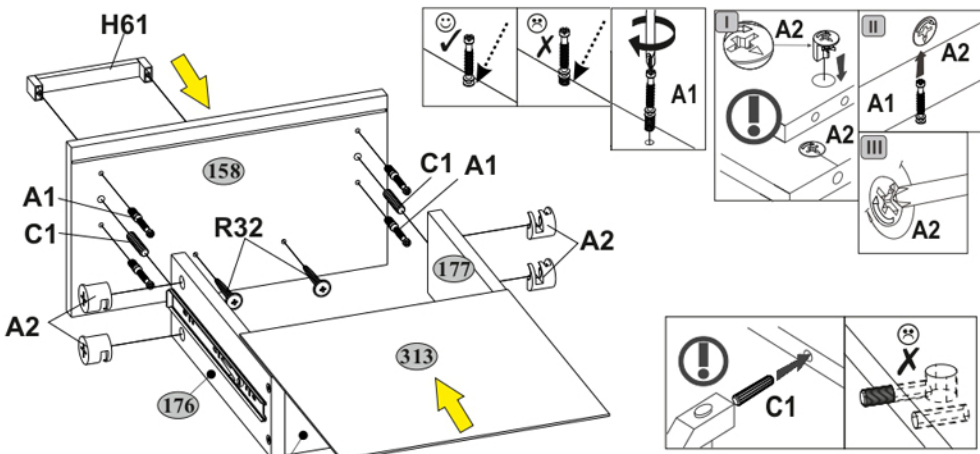
**8**  
x3

<b>C1</b>	<b>I</b>	<b>R24</b>
		
8x35    6	S4    1	7x50    12

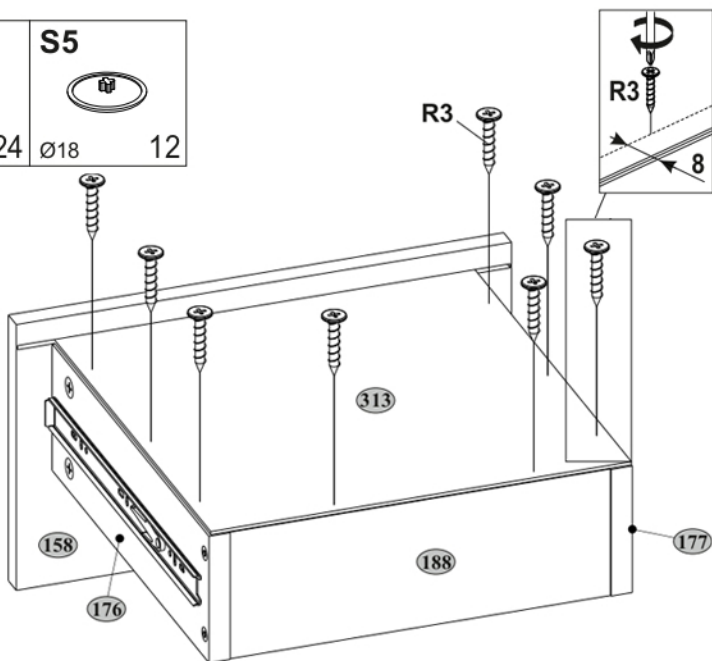
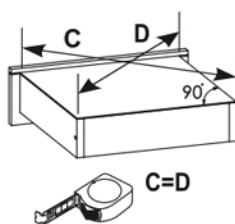
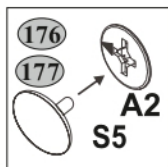
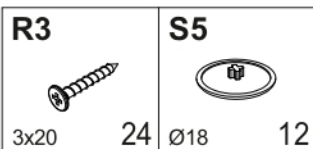


**9**  
x3

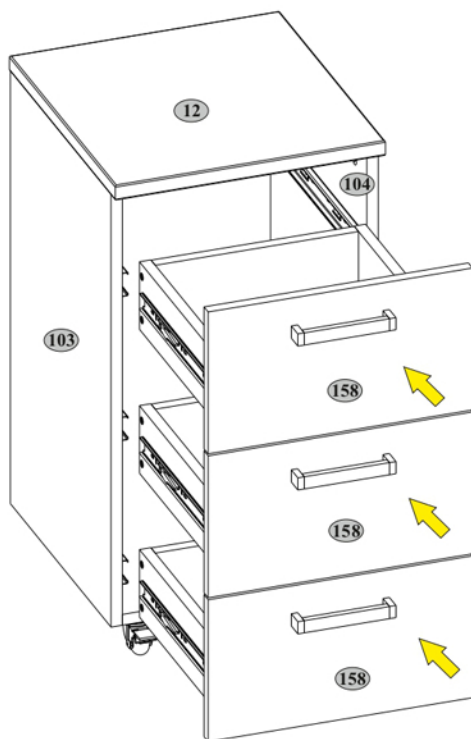
<b>A1</b>	<b>A2</b>	<b>C1</b>	<b>H61</b>	<b>R32</b>
				
7x34    12	Ø15x13    12	8x35    6		3    4x27    6



**10**  
x3



**11**



**158**  max.  
5 kg

**12**  max.  
10 kg